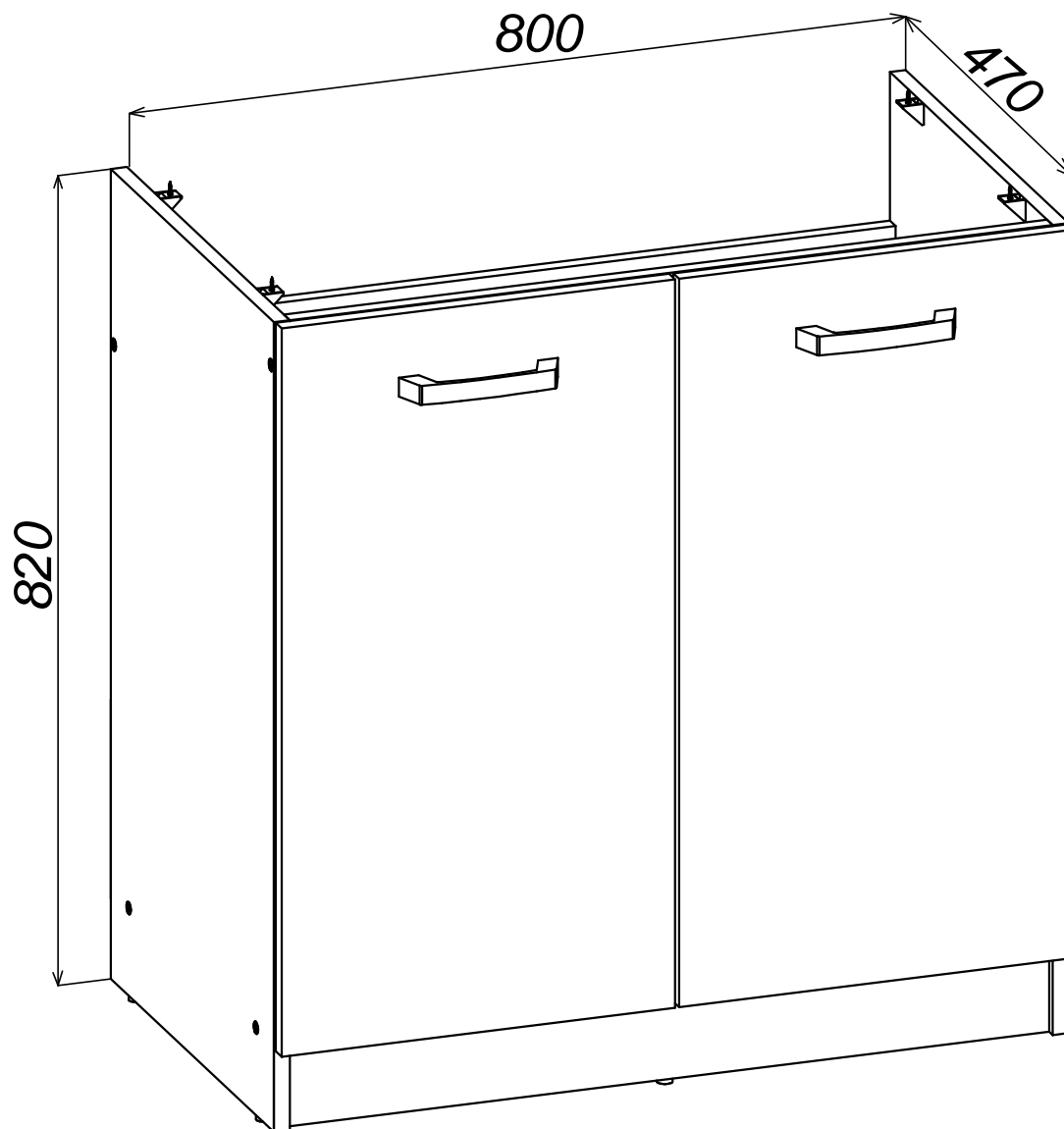
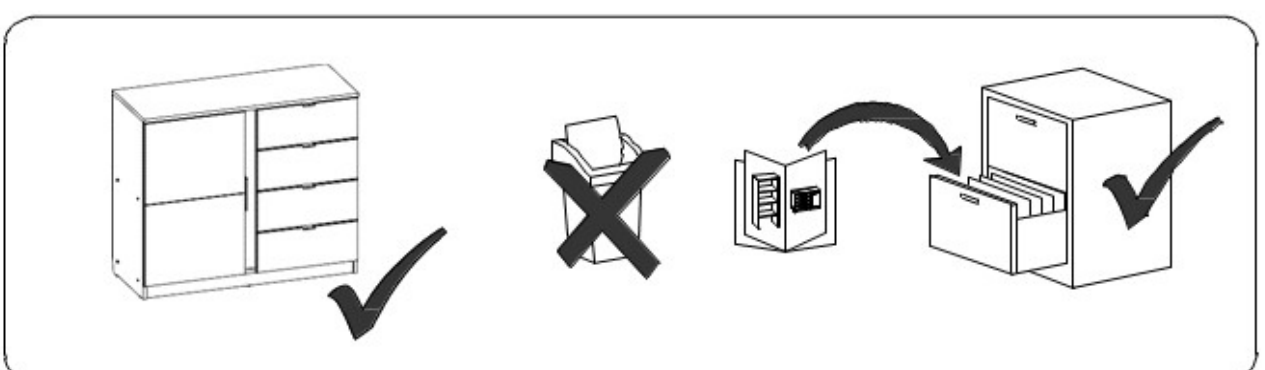
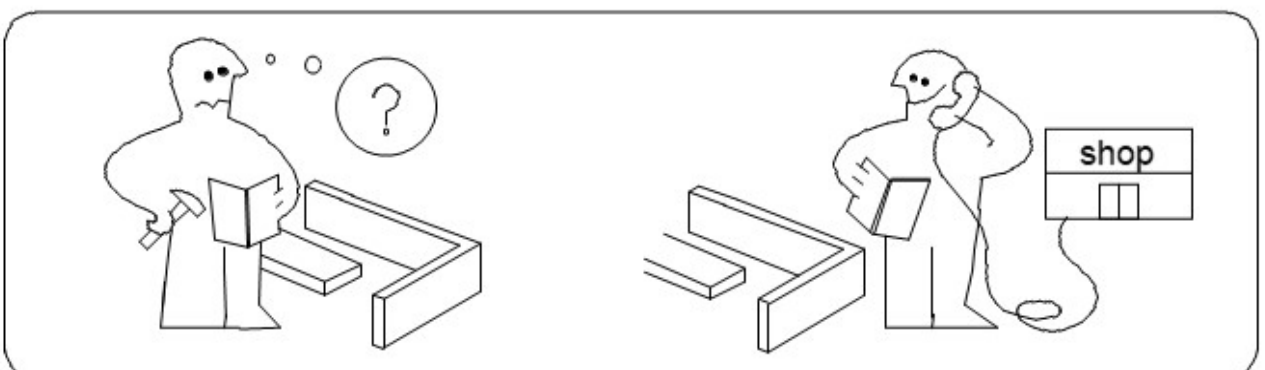
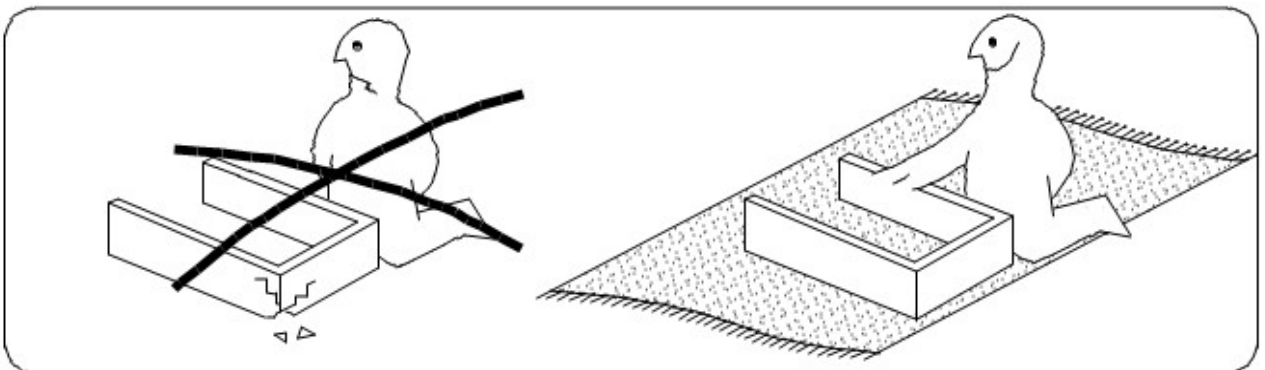
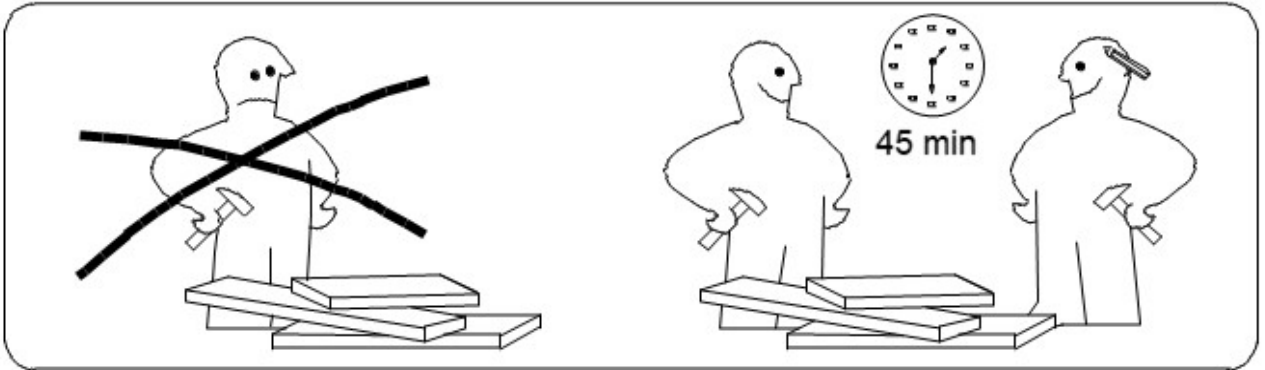
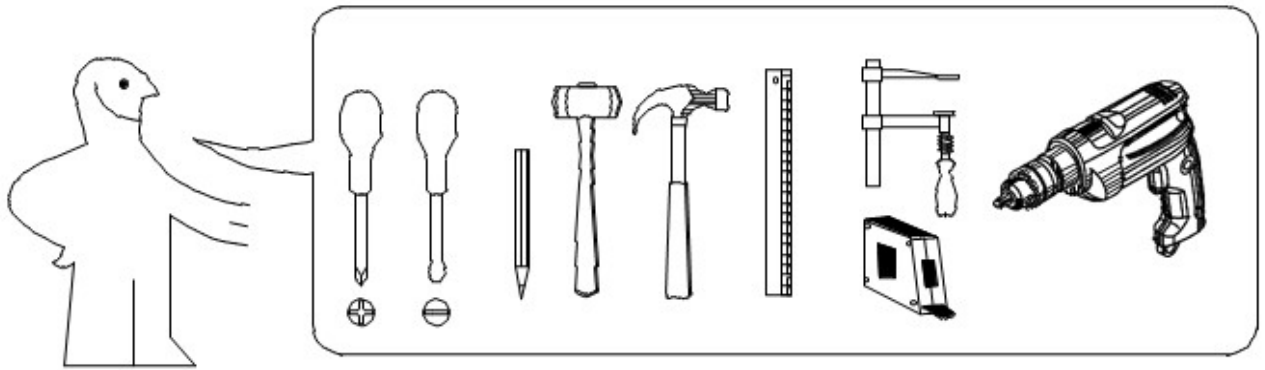
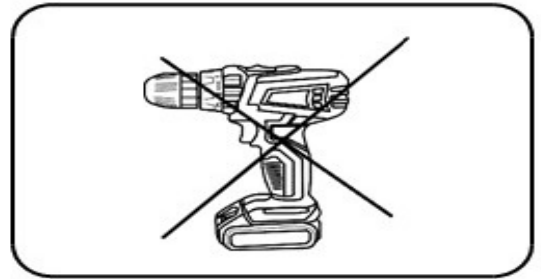
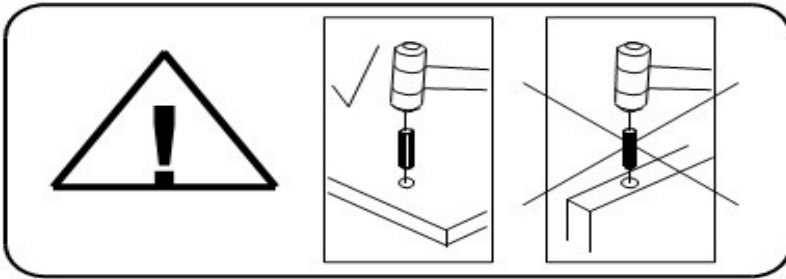














Кухня Латрис

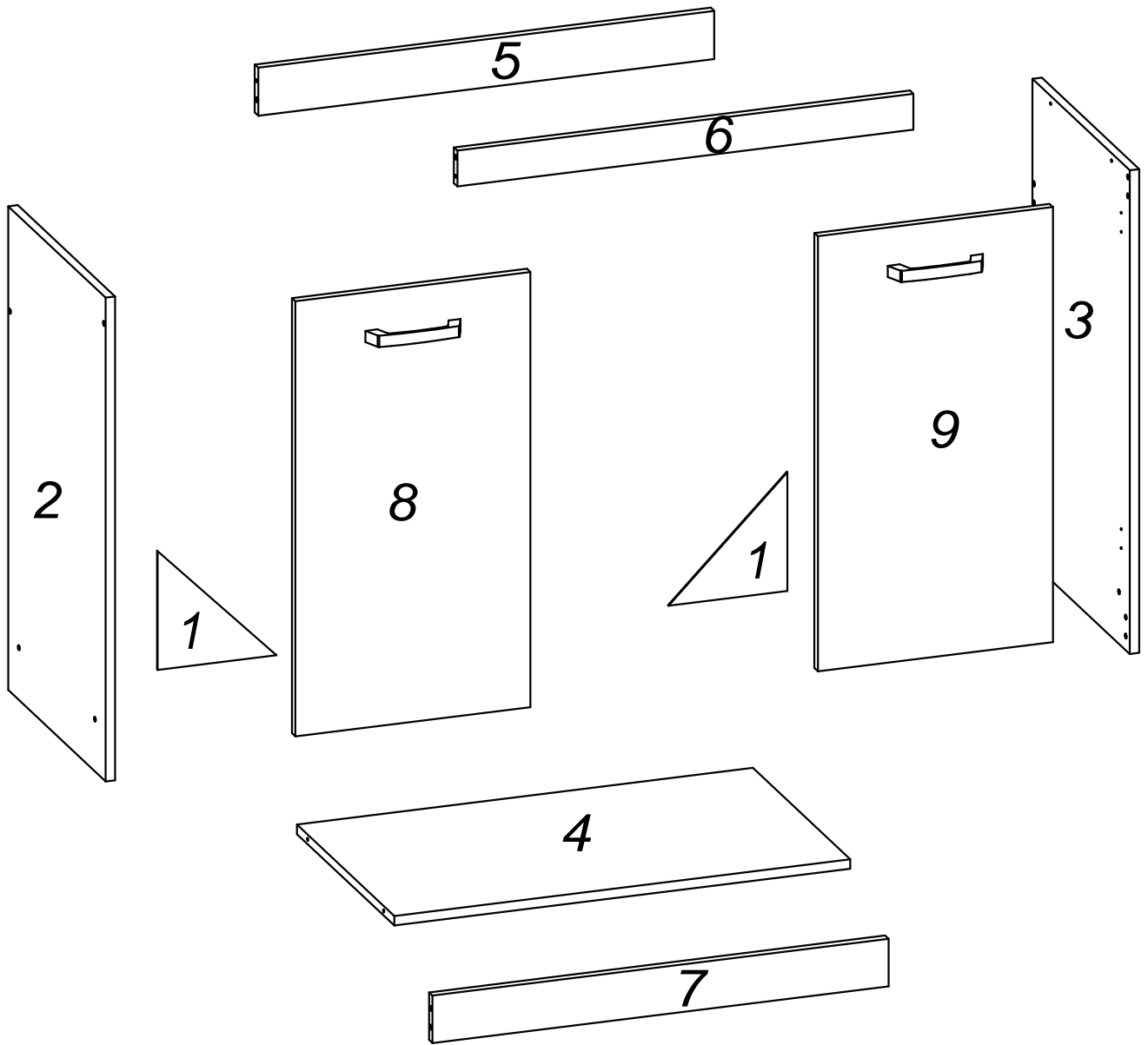
DN^o80 (800x820)



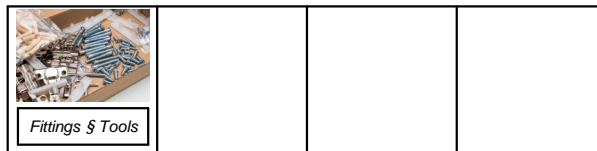
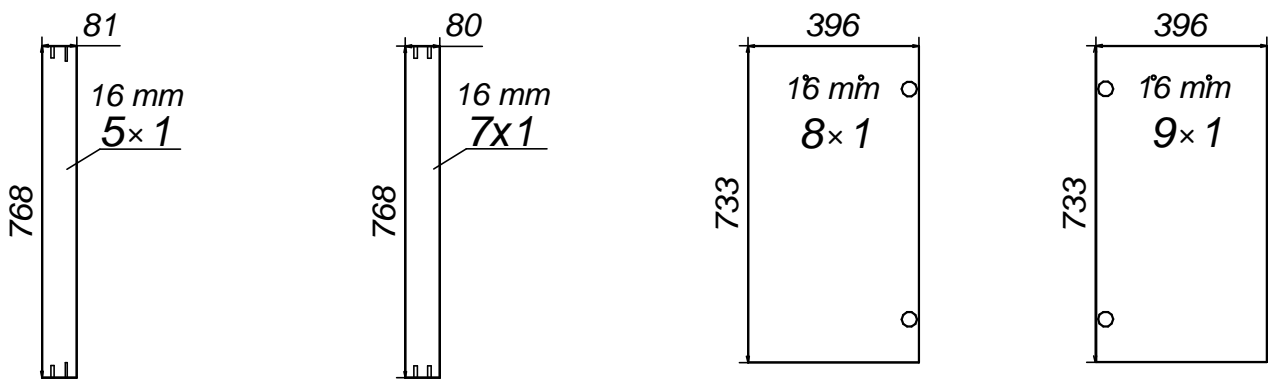
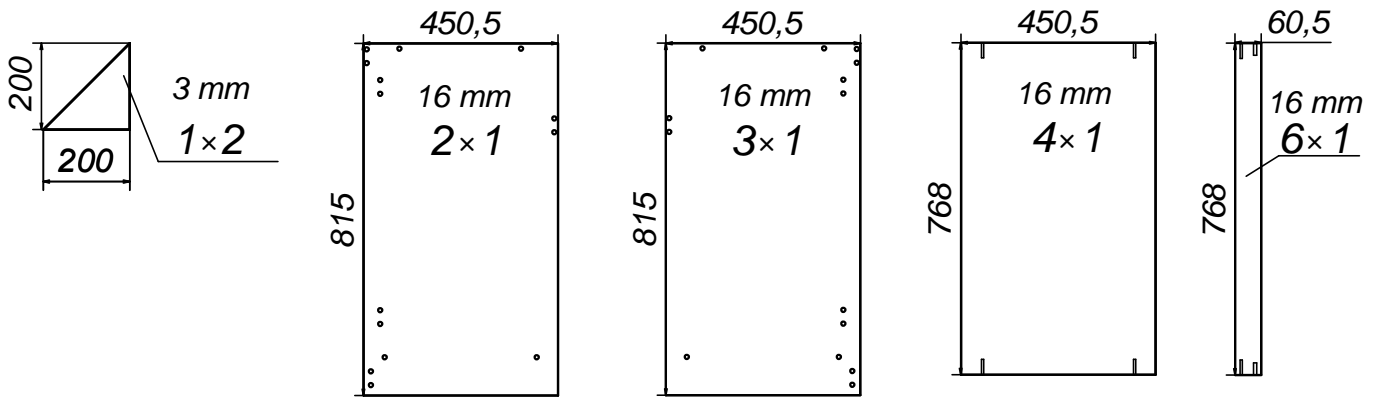




 <p>$\varnothing 6,3 \times 50 \text{ mm}$</p> <p>A1 x 8</p>	 <p>$\varnothing 12 \text{ mm}$</p> <p>A2 x 8</p>	 <p>4 mm</p> <p>A3 x 1</p>	 <p>$\varnothing 4 \times 16 \text{ mm}$</p> <p>D1 x 24</p>	 <p>$\varnothing 4 \times 30 \text{ mm}$</p> <p>D3 x 4</p>
 <p>$\varnothing 1,6 \times 25 \text{ mm}$</p> <p>F x 10</p>	 <p>$\varnothing 8 \times 36 \text{ mm}$</p> <p>G x 8</p>	 <p>H x 2</p>	 <p>M x 4</p>	 <p>$\varnothing 15 \text{ mm}$</p> <p>N x 5</p>
 <p>$\varnothing 8 \times 30 \text{ mm}$</p> <p>T x 2</p>	 <p>U x 4</p>			




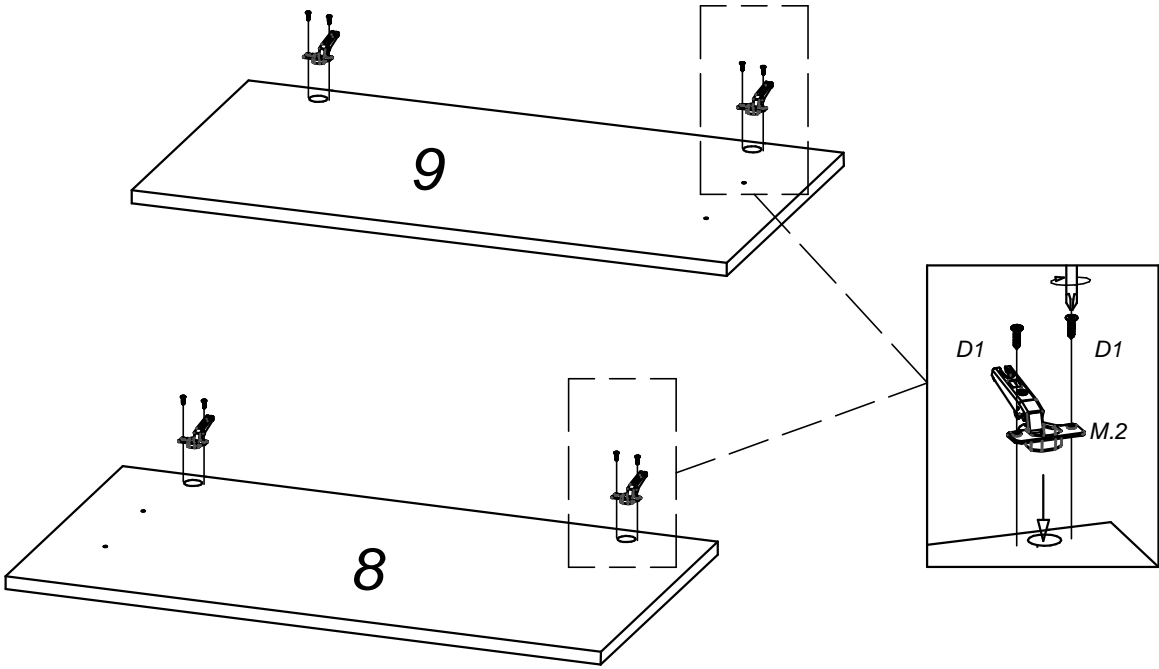
Box



1


∅4x16 mm
D1 x 8


M

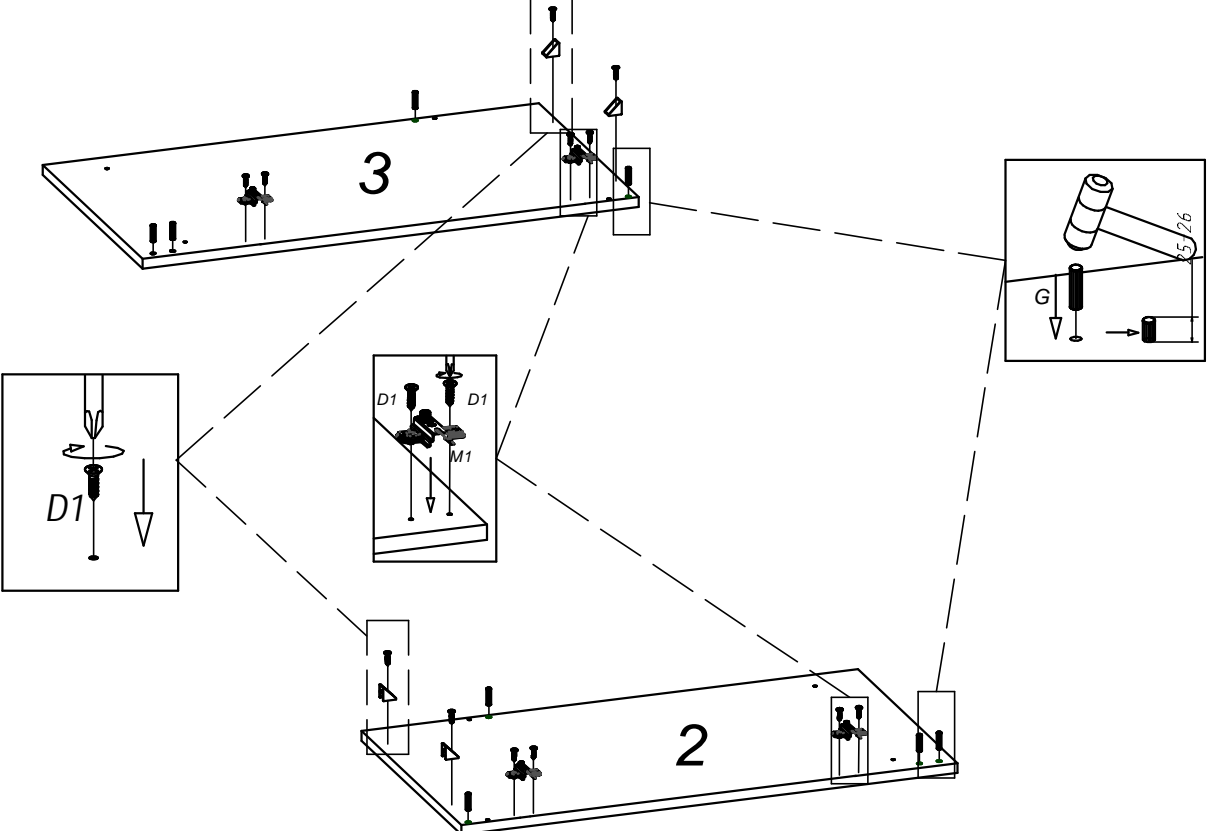


2

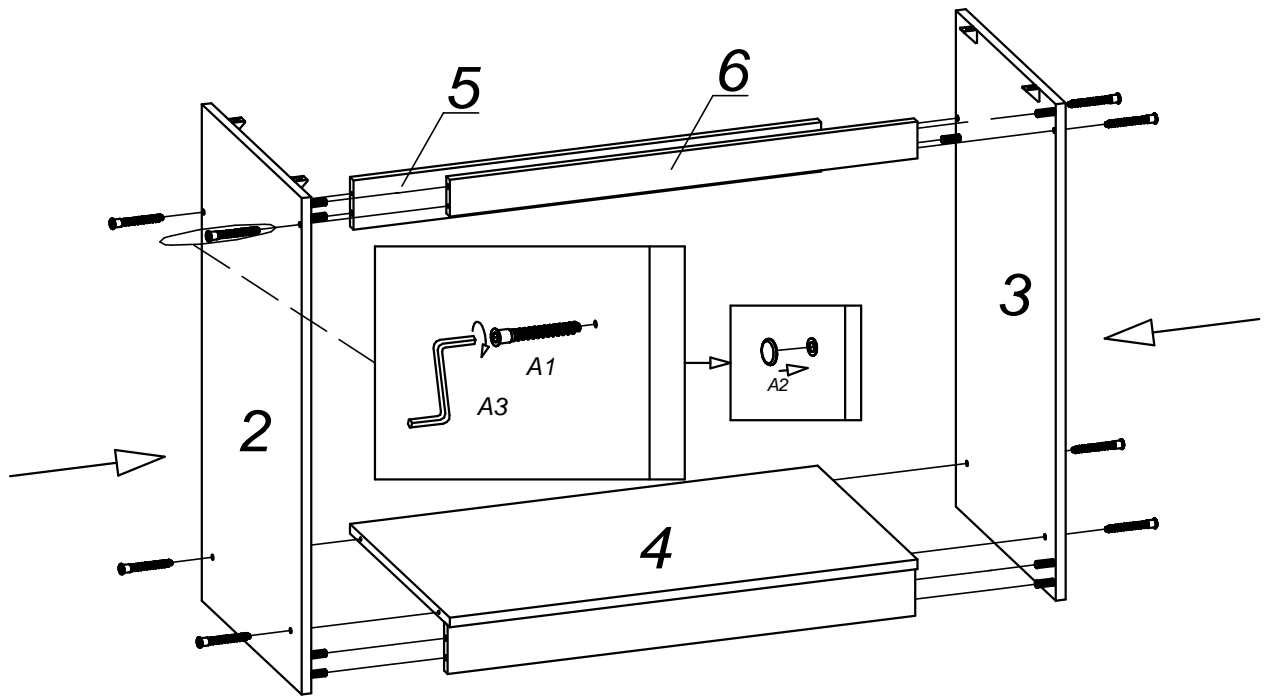

∅4x16 mm
D1 x 12


∅8x36 mm
G x 8

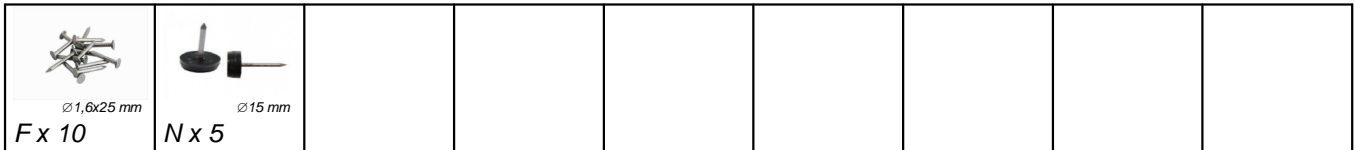

M x 4



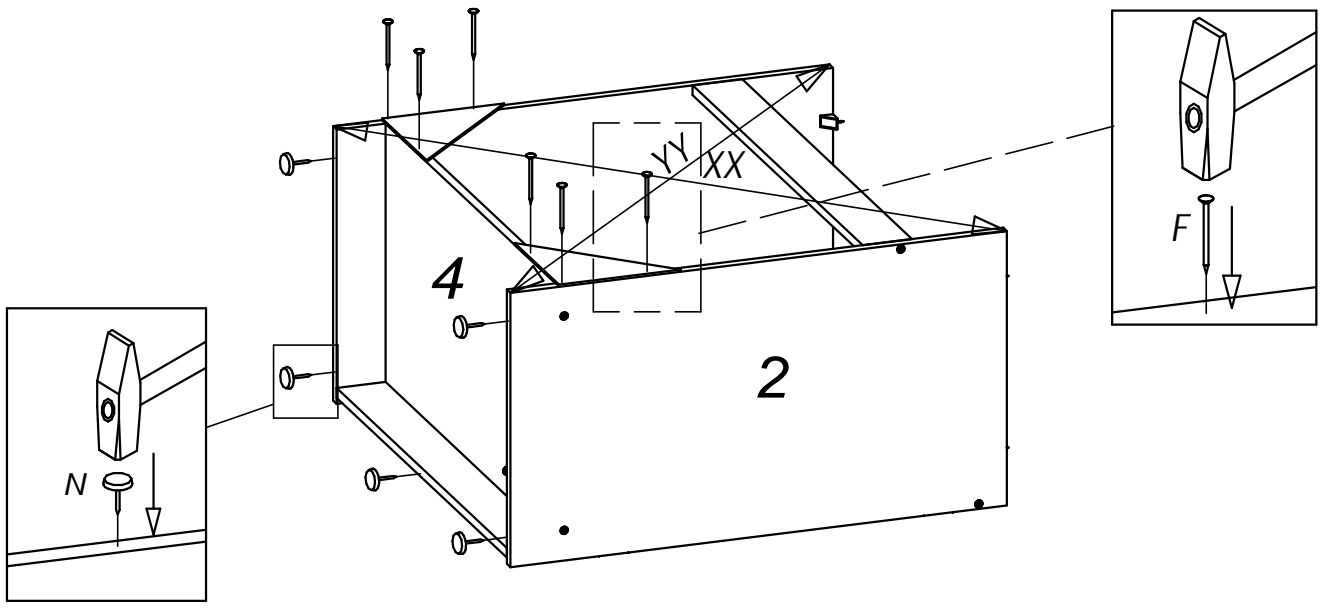
3



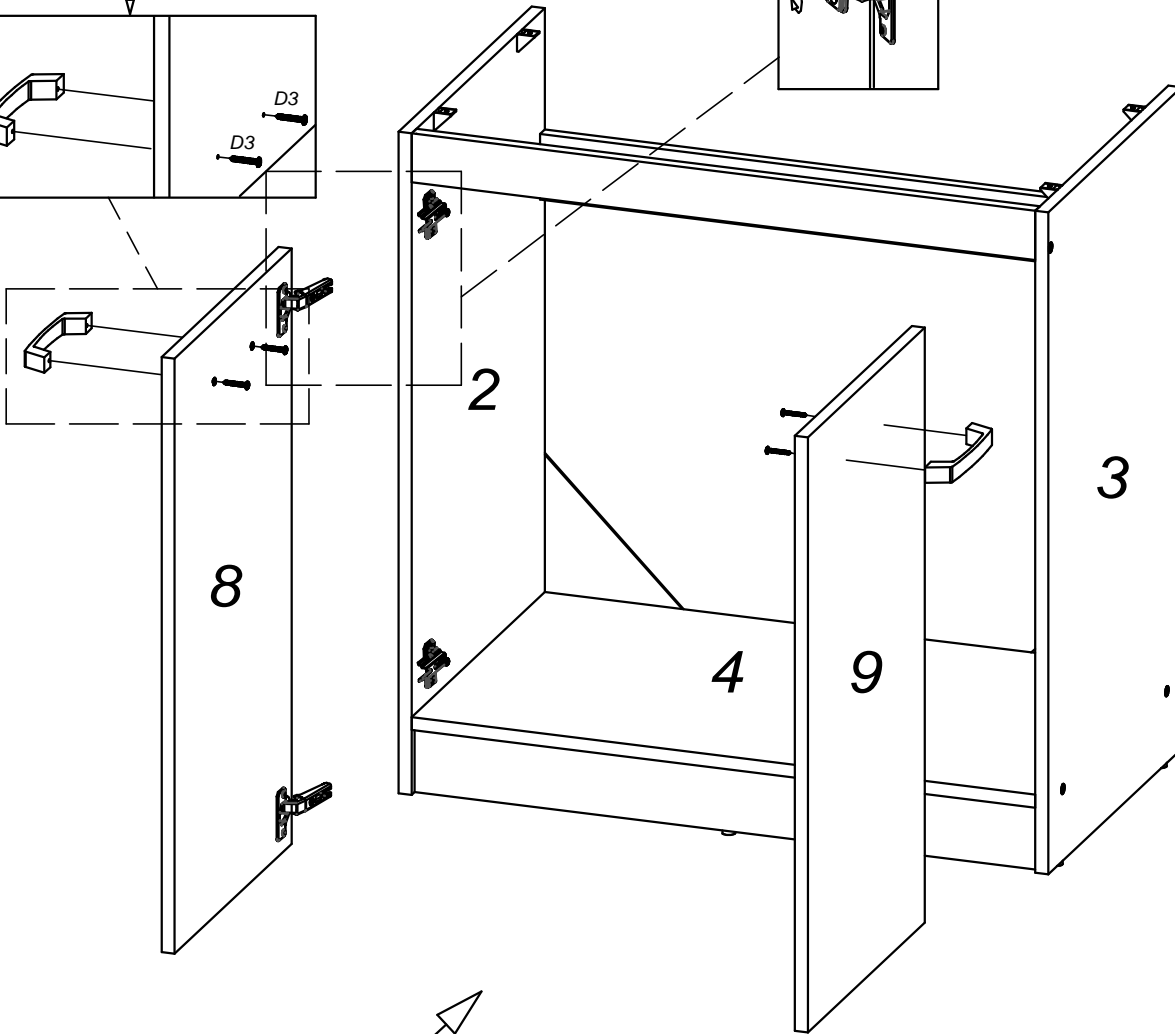
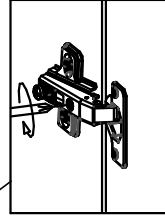
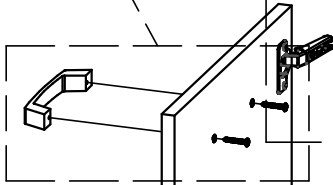
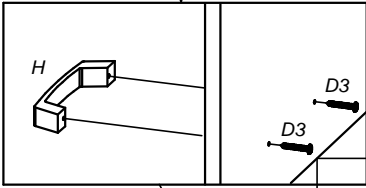
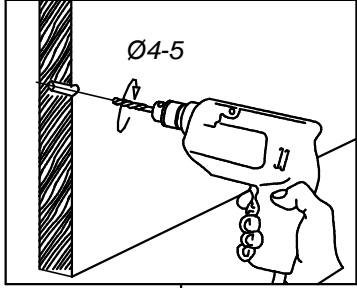
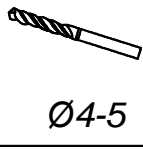
4

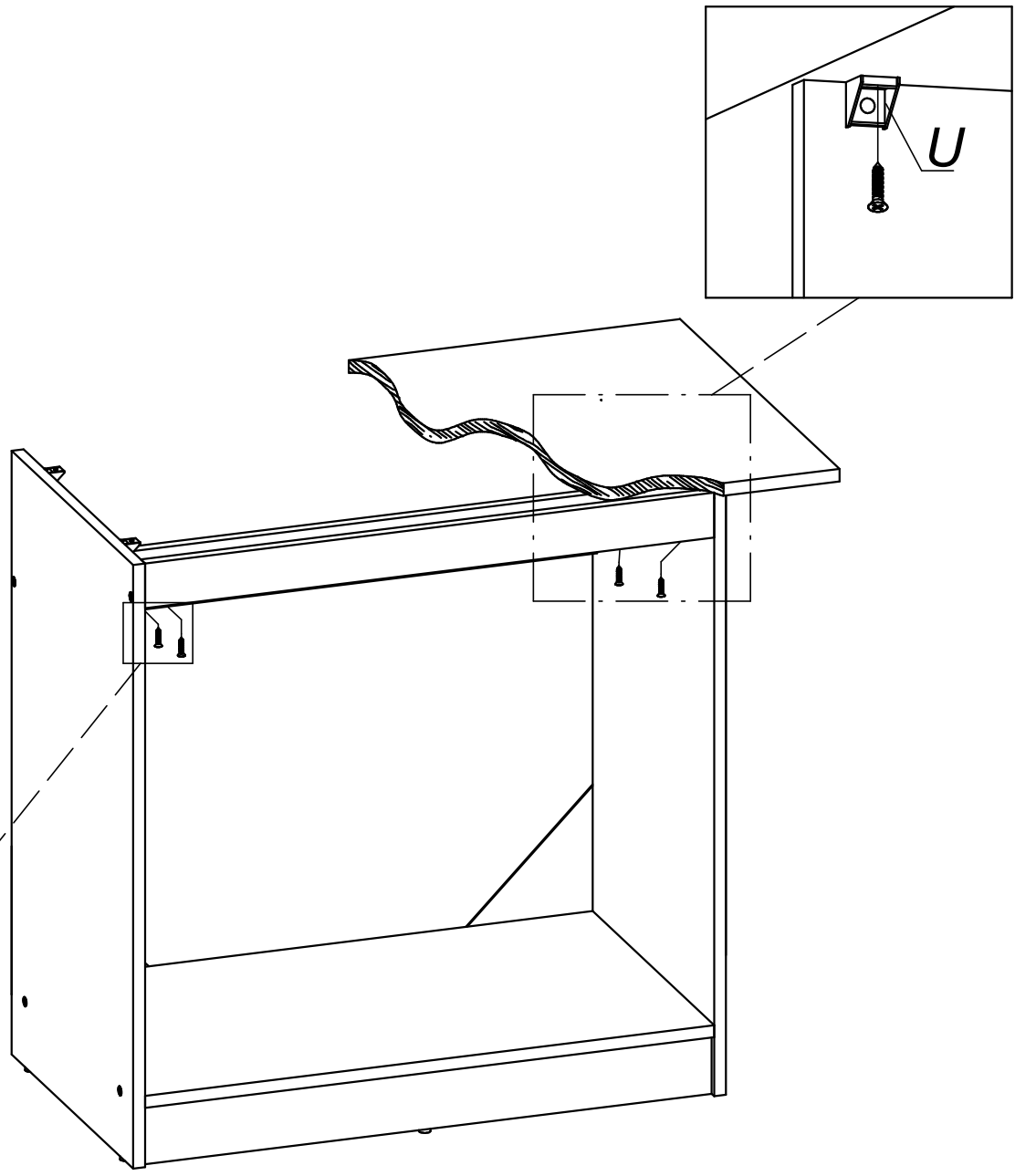
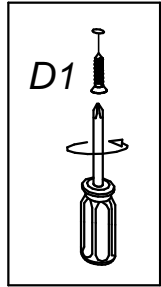


$XX=YY=90^\circ$



5







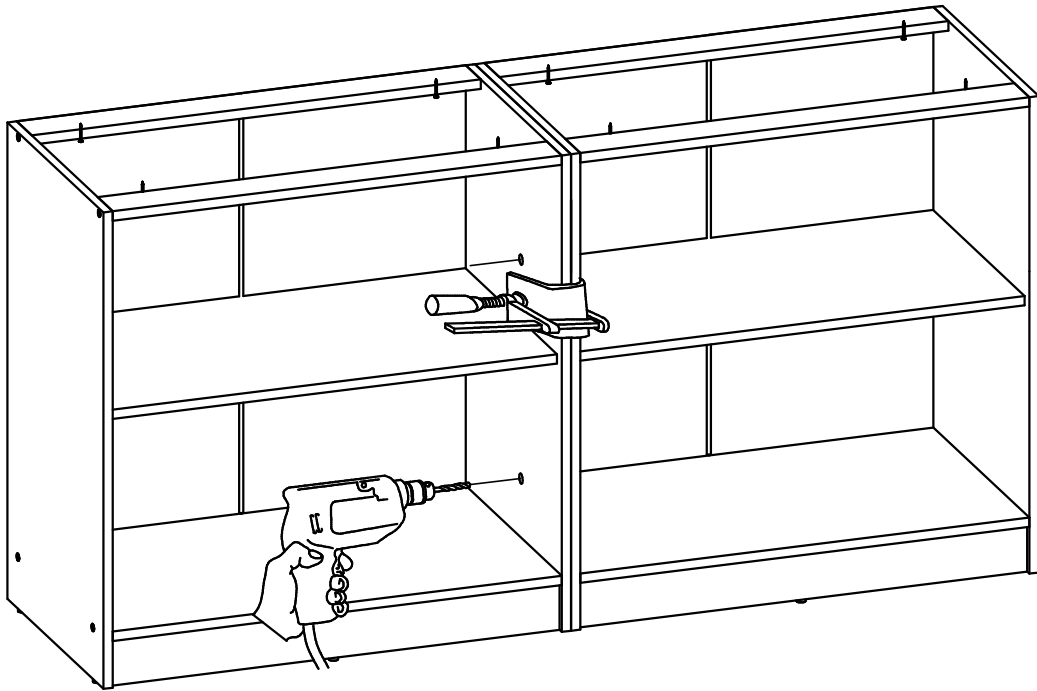
T x 2

∅8x30 mm



∅8

1



2

